



## Specification

<b>Product Type:</b>	Bathroom Tap
<b>Main Construction Material:</b>	Brass
<b>Mount Type:</b>	Deck Mounted
<b>Handle Type:</b>	Lever Handle
<b>Connection Inlet:</b>	¾" BSP
<b>Connection Outlet:</b>	M24 Flow Straightner
<b>Number of Tap Holes:</b>	2
<b>Valve/Cartridge Type:</b>	Manual
<b>Plumbing System Requirements:</b>	Suitable for all plumbing systems
<b>Working Pressure Range:</b>	Min. 0.2 Bar, Max. 10 Bar
<b>Maximum Hot Water Temperature: °C</b>	65
<b>Maximum Static Pressure: (bar)</b>	10
<b>Flow Type:</b>	Single Flow

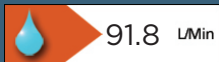
### Features:

- Long life and easy to use 1/4 turn ceramic disc valves
- Metal back nuts for added durability

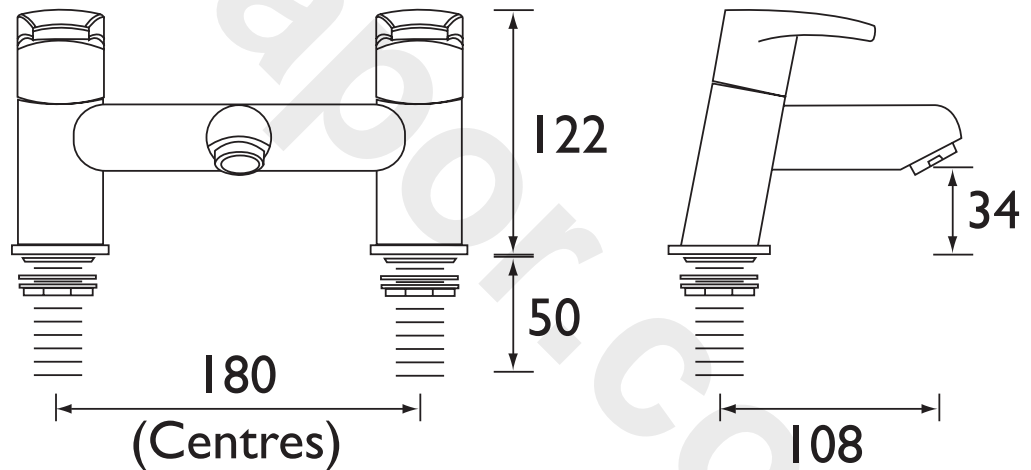
### Product Certifications:



WRAS Cert. Number: 1609014  
WRAS Expiry Date: 30/09/2021



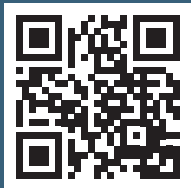
### Dimensions (measurements in mm)



### Flow Rates (l/min)

System Pressure (bar)	0.2	0.5	1	2	3	5
OR BF C	22.2	36.9	53.1	75	91.8	118.6

For more products, visit our website:  
<http://www.bristan.com>



## TECHNICAL DATA SHEET



# BRISTAN